



WaveController

NETWORK INTERFACE



The link to WaveRider

Small, unobtrusive, but powerful – The Heartland MicroPayments WaveController is the vital link between your WaveReaders and the WaveRider system.

The WaveController is completely wireless, easy to install, and supports up to forty WaveReaders (each) with Zigbee mesh-network technology. After coordinating all communications traffic with the WaveReaders, the WaveController utilizes a secure, convenient cellular connection to the host network for transaction authorization, settlement, and machine auditing.

The WaveController also serves as the information gateway for Heartland's WaveVision and WaveCentral services. WaveVision allows your laundry service customers to know which machines are available, and when their laundry cycle has finished. WaveCentral makes sure you know what is happening with your machines, and when service actions may be needed.



The **WaveController** provides the following features and functionality:

▪ **Benefits & Advantages**

- ✓ Completely wireless connectivity to WaveReaders and host network
- ✓ Small footprint maximizes installation options
- ✓ Economical - can support up to forty WaveReaders per unit (40 : 1)

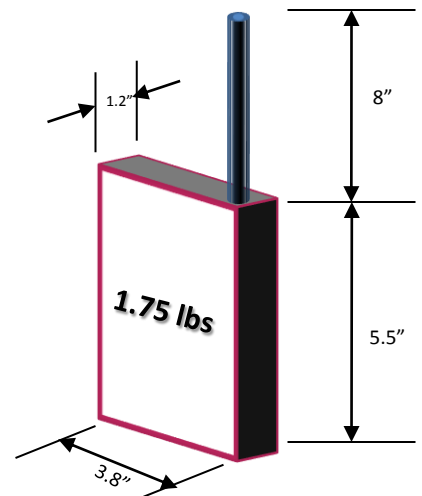
▪ **Remote Capabilities**

- ✓ Fully supports WaveVision web application
- ✓ Fully supports WaveCentral web application

▪ **Connectivity Options**

- ✓ Cellular – to host
- ✓ Zigbee – to Wave Readers

Technical Specifications - WaveController	
Physical Dimensions	5.5" H x 3.8" W x 1.2" D (additionally cellular antenna requires minimum of 8" clearance)
Weight	1.75 lbs
Exterior Finish	Corrosion resistant Powder Coat, Low Texture Enamel (WHITE)
Electrical Requirements	120 VAC, < 2 Amp max load
Electronic Security	All communications are encrypted
Remote Management	Financial Auditing, WaveVision, and WaveCentral
Communications	Zigbee to WaveReaders (encrypted) Cellular to Host (encrypted)
Operating Temperature	41 F to 104 F (+5 C to +40 C)
Relative Operating Humidity	20% - 80%, non-condensing
Mounting Options	Can mount virtually anywhere that ensures reliable wireless connections



WaveController
NETWORK INTERFACE